



**MACHINERY  
SPECIALISTS  
LIMITED**

# ST230V

**Engine power**  
53.7 kW / 73 hp

**Bucket capacity**  
\*0.4 m<sup>3</sup>

**Operating weight**  
4680 kg / 10317 lbs

**Rated load**  
1100 kg / 2430 lbs

\*Bucket is optional



**SANY HEAVY MACHINERY LTD**  
<http://www.sanyglobal.com>

This manual was printed in 2024. The product information may have been changed when you read it. Products (including specific configuration, detail, etc.) are based on the specific models and products applicable to markets outside China, which are displayed and sold by agents. For more details, please visit the local authorized agent of SANY Heavy Machinery Ltd.

# COMPACT TRACK LOADER

As a kind of compact earthmoving machinery, the compact track loader is nimble and able to pivot 360 degrees in place by utilizing the speed difference between the two side rubber track. Benefitting from the design of quick couplers, different attachments can be attached in minutes to meet various demands in general construction, agriculture, utility, and landscaping.

ST230V is a new masterpiece of SANY. Based on SANY excavator's mature R&D platform and rigorous testing system, its durability has been tested for more than 3000 hours. And it will have an awesome performance because of its following six highlights.



# SIX HIGHLIGHTS



Comfort



Safety



Intelligence



Efficiency



Accessibility



Versatility





Ergonomic Joystick

Adjustable Air Outlet

Safety Armrest

Suspension Seat

Adjustable Air Outlet



### Spacious cab

- The cab providing ample space and depth for a comfortable experience.

### Low noise

- Adopting an integrated cab with good sealing.
- The temperature-control fan with large diameter can dissipate heat independently, making low noise.

### Work with open front door

- It's accessible to work with open front door which can be flipped up to the top of the cab through an unique connecting rod mechanism.



### Air conditioning system

- Integrated cooling and heating, powerful and comfortable.
- Wind speed and direction, foot blow and defrosting, adjustable as desired.

### Touch display

- 7-inch LCD screen, anti-glare.
- Integrated with the control of equipment including rearview camera, air conditioning, radio, etc.



### Ergonomic designs

- The safety armrest features a streamlined design and armrest function, providing a comfortable and fatigue-free support.
- The joystick, buttons, and scroll wheel are arranged according to ergonomics for comfortable operation.

### Considerate designs

- Considerate designs such as 12V power socket, cup holder, storage bag, etc., for convenient use by the operator.



### Multiple protection

- It's necessary to lower the safety armrest and unlock the one-click before operating the machine.
- Equipped with ROPS&FOPS cab, side window protection net, boom safety rod, and rotating warning light to ensure safety.
- Equipped with emergency unloading valve and escape window, practicing the concept of "life is the most important, and there is no price for life."



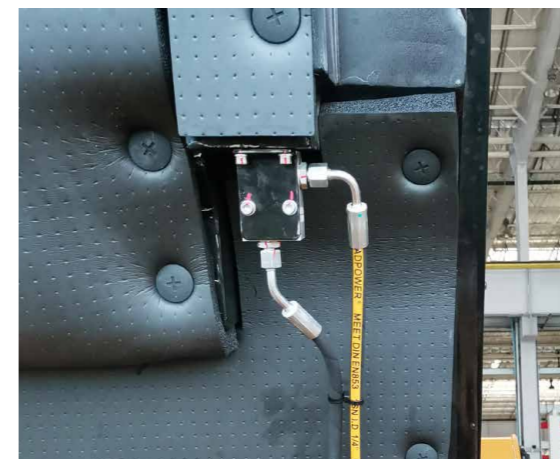
**SAFETY ARMRESTS:** The safety armrests must be lowered before any operation.



**PROTECTIVE NET:** It prevents personnel injuries caused by splashing or falling stones, etc.



**ROTATING WARNING LIGHT:** It always reminds people around to maintain a safe distance.



**EMERGENCY UNLOADING:** Lower the boom in emergency situations to ensure safety.



**ESCAPE WINDOW:** Emergency exit.

## Visibility

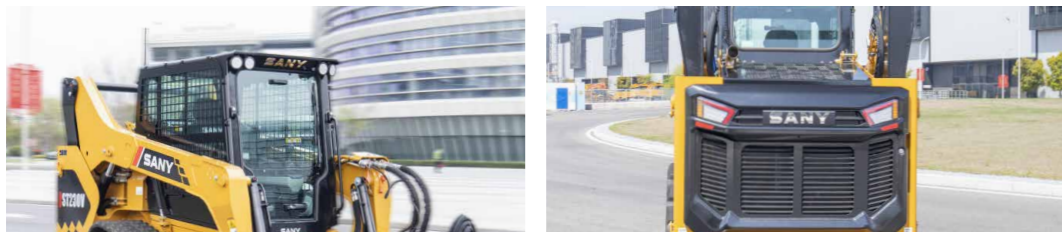
- © The reversing camera system and interior rearview mirror provide an ideal view behind the machine.
- © Panoramic view design for front and sides to minimize unnecessary obstruction.



Front view + rear view + reverse image + rearview mirror

## Night lighting

- © The high-brightness LED lights are equipped at the front and rear. The combined tail light integrates lighting, warning and steering functions to ensure construction safety at night.





### Smooth shoveling

- ◎ No spreading happens in shovel transport as for its configuration of ride control system and self-leveling system.

### Precise control

- ◎ The response and micro-mobility are great because of the hydraulic pilot control.
- ◎ Adopting DA power distribution technology to prevent flameout intelligently.

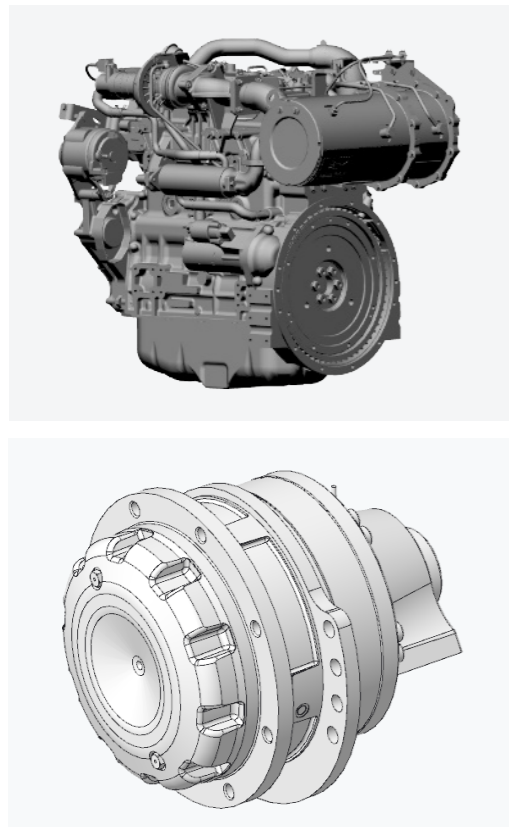
### Intelligent operation

- ◎ One-click startup is available to eliminate the trouble of carrying the key. And a password can be set to ensure the safety of your equipment.
- ◎ The maintenance reminders and fault alarms can be seen in the display by the transmission via CAN bus, allowing for real-time monitoring of machine status.



**POWERFUL**

- ◎ Both the power and traction are strong benefiting from its powerful YANMA engine and a low-speed and high-torque motor.
- ◎ Based on its vertical lifting structure, large breakout force was achieved through the combination between the excellent point design and strong thrust cylinder.



**EFFICIENT**

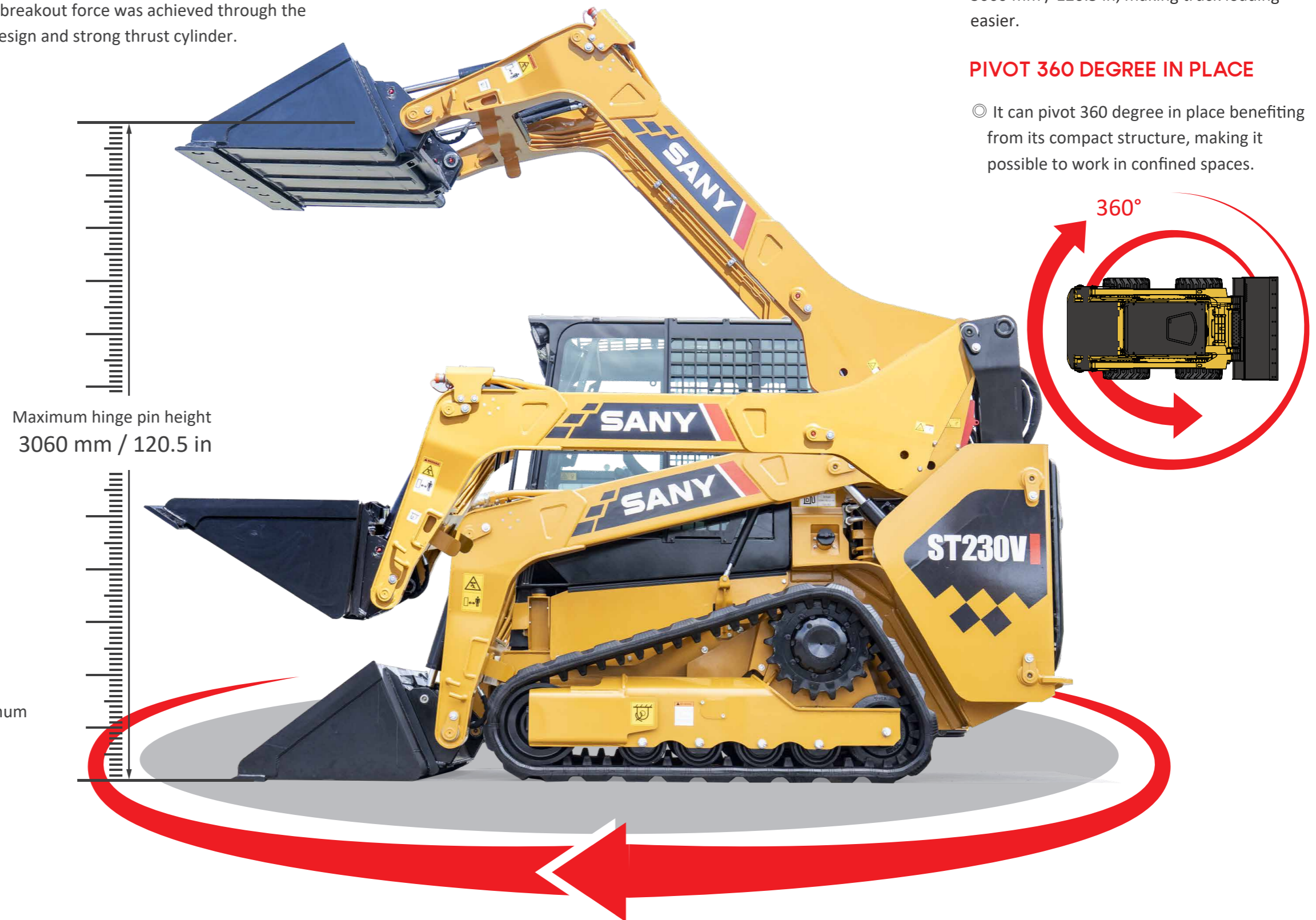
- ◎ Configured with dual speeds, with a maximum speed of 13.2 km/h / 8.0 mph, achieving efficient transfer.

**HIGH UNLOADING HEIGHT**

- ◎ The maximum hinge height reaches 3060 mm / 120.5 in, making truck loading easier.

**PIVOT 360 DEGREE IN PLACE**

- ◎ It can pivot 360 degree in place benefiting from its compact structure, making it possible to work in confined spaces.





# MULTIFUNCTIONAL

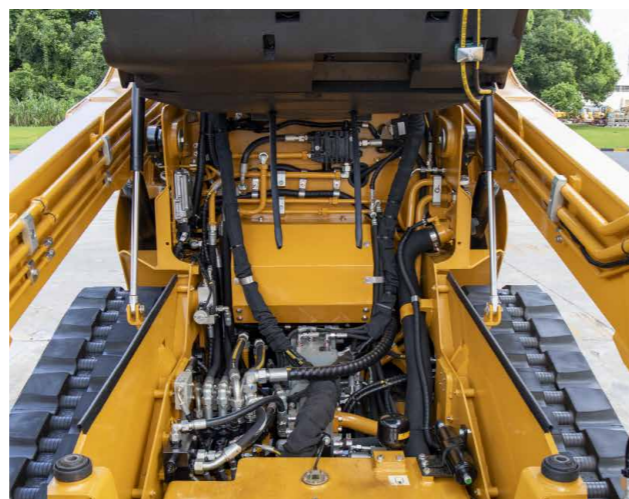


## Versatility

Standard and high flows are available, making that various attachments can be used to meet different assignments, such as buckets, sweepers, snow blowers, cold planers, forks, forest mulchers, etc.

### Spacious and accessible

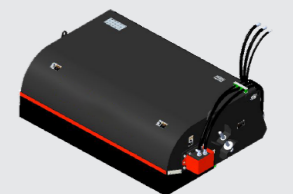
- ◎ The tailgate can be opened fully, and the mesh cover can be flipped up, allowing for easy access to all parts from the ground during routine maintenance.
- ◎ The entire cab can be flipped backward, providing enough spaces for inspecting and repairing components such as pumps, motors, and valves, making maintenance convenient.



Bucket



Sweeper



Snow Blower



Cold Planer



Fork

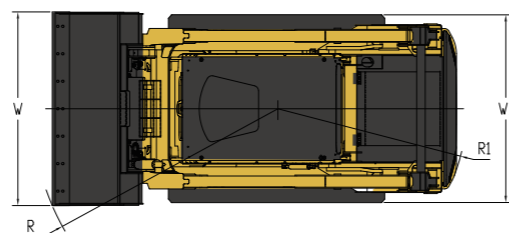
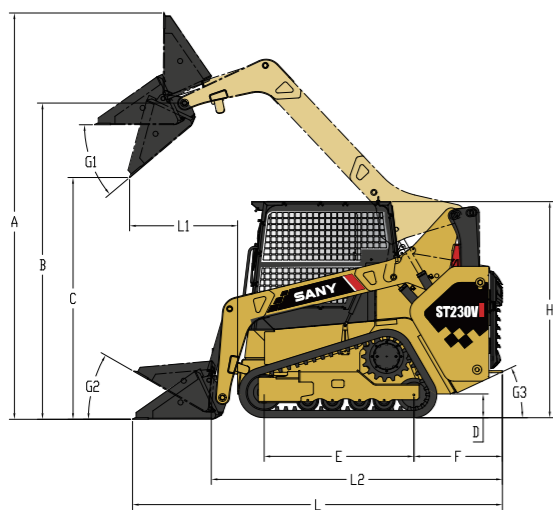


Forest Mulcher



# Overall Dimensions

Overall dimensions	ST230V
A Maximum Overall Height	3965 mm / 156.1 in
B Bucket Pin Height at Maximum Lift	3060 mm / 120.5 in
C Clearance at Maximum Lift and Dump	2340 mm / 92.1 in
L1 Reach at Maximum Lift and Dump	1065 mm / 41.9 in
D Ground Clearance	230 mm / 9.1 in
E Track Length On Ground	1460 mm / 57.5 in
F Bumper Overhang behind Rear Axle	883 mm / 34.8 in
R Turning Radius from Center-Bucket	2100 mm / 82.7 in
R1 Turning Radius from Center-Machine Rear	1685 mm / 66.3 in
G1 Maximum Dump Angle	40°
G2 Rollback Angle of Bucket on Ground	30°
G3 Departure Angle	28°
L2 Length without Bucket	2885 mm / 113.6 in
L Length with Bucket on Ground	3610 mm / 142.1 in
W1 Over the Tire Width	1675 mm / 65.9 in
W Over the Bucket Width	1727 mm / 68 in
H Height to Top of Cab	2100 mm / 82.7 in



# Technical Specifications

Performance		Power system	
Rated Operating Capacity	1100 kg / 2430 lbs	Engine Model	4TNV98CT
Operating Weight	4680 kg / 10317 lbs	Engine Speed	2400 rpm
Tipping Load	3148 kg / 6943 lbs	Rated Power	53.7 kW / 73 hp
Breakout Force, Tilt Cylinder	25.5 kN / 5733 lbf	Peak Torque	280 N.m @1560 rpm
Lift Geometry	Vertical Lift	Displacement	3.319 L / 203 in <sup>3</sup>
Travel Speed One	8.0 km/h / 5.0 mph	Bore x Stroke	Φ98x110 mm / 3.9x4.3 in
Travel Speed Two	13.2 km/h / 8.0 mph	Aspiration	Turbo-charger
Cycle Time (Raise/Lower/Dump)	9.0 s	Emissions	Tier 4 Final / Stage V
Track Width	320 mm / 12.6 in		

Hydraulic system		Capacity	
Loader Hydraulic Pressure	230 bar / 3336 psi	Battery Capacity	140 Ah
Standard Hydraulic Flow	80 L/min / 21 gal/min	Hydraulic Tank	39 L / 10.3 gal
High Hydraulic Flow	120 L/min / 31.6 gal/min	Engine Oil	9.4 L / 2.5 gal
		Cooling System	12 L / 32 gal
		Diesel Tank	100 L / 26.4 gal

# STANDARD CONFIGURATIONS

Electrical system	Cabin
Backup Alarm •	ROPS/FOPS Cab, Tilt Up •
Heavy Duty Battery, 950 CCA •	Emergency Exit •
LED Front and Rear Lights •	Fully Automatic Air Conditioning •
One-click Startup •	Air Suspension Seat •
7-inch Touch Screen •	Rearview Mirror •
Rearview Camera System •	Retractable Safety Belt •
12 volt Electric Socket •	Safety Armrest •
USB Power Port •	Hydraulic system
14-pin Electric Socket •	Multi-function Joystick •
Electrical Outlet, Beacon •	ISO Pilot Control •
Audio System •	Two-speed Travel •
Pedal Throttle Control •	Bucket Self-leveling System •
Radio •	Hydraulic Quick Coupler •
Bluetooth •	High Hydraulic Flow •
	Boom Damping System •

# Optional configurations

Cabin	Others
Mechanical Suspension Seat ○	400 mm / 15.8 inch Track ○
	Assembled Blade Plate ○
	Bucket Teeth ○

• indicates standard configuration ○ indicates optional configuration



